

# Terminal Block, Plug

## STB2040V-5.08-XX

### Description

The STB2040V-5.08 is a Vertical Terminal Block Plug with a 5,08 mm pitch. The connector is available from 2 up to 24 poles.



### Typical applications

- Wire to Board
- Board to Wire

### Features

Mechanical Properties	Description
Connector Type	Plug
Orientation	Vertical
Dimensions	(Poles*5.08) x 15.3 x 17.4 mm ± 0.2
Operating Temperature Range	-40°C~+105°C
Wire Range	14 – 28 AWG, 2.5 mm <sup>2</sup>
Torque	0.5 Nm (4.5 Lb.in)
Stripping Length	7 - 8mm
Pitch	5.08 mm
Poles	2-24 Poles
Insulator body	PA66, UL94V-0
Contact	Brass, Sn plated
Terminal Screw	Steel, Zn plated
Cage	Brass, Ni plated

# Terminal Block, Plug

## STB2040V-5.08-XX

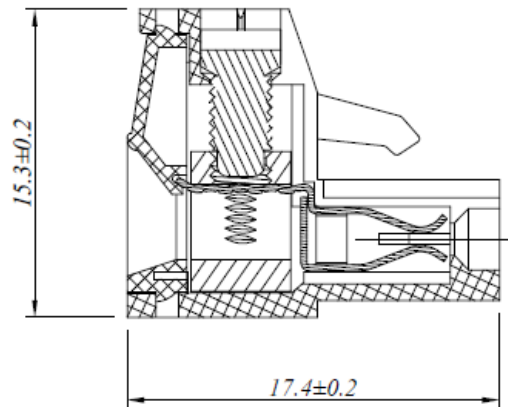
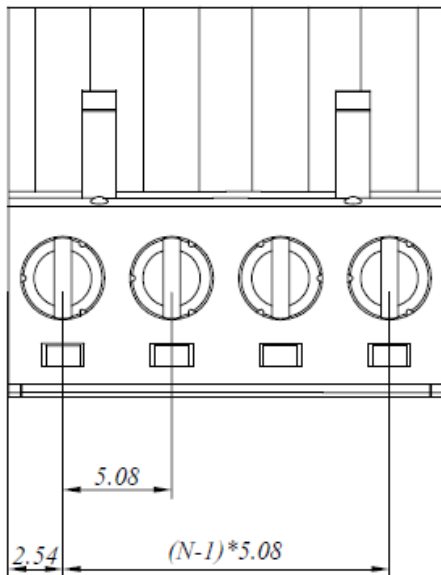
### Electrical Properties

### Description

<b>Standard</b>	UL	IEC
<b>Rated Voltage</b>	300V	450V
<b>Rated Current</b>	15A	20A
<b>Contact Resistance</b>	20mΩ (Max.)	
<b>Insulation Resistance</b>	500MΩ / 500V	
<b>Withstanding Voltage</b>	AC 2000V / 1Min.	

### Dimensions

\*unit: mm, N= number of poles



# Terminal Block, Plug

## STB2040V-5.08-XX

Pole	2	3	4	5	6	7	8	9	10	11	12	13
Length	10,2	15,2	20,3	25,4	30,5	35,6	40,6	45,7	50,8	55,9	61	66
Pitch	5,1	10,2	15,2	20,3	25,4	30,5	35,6	40,6	45,7	50,8	55,9	61

Pole	14	15	16	17	18	19	20	21	22	23	24
Length	71,1	76,2	81,3	86,4	91,4	96,5	101,6	106,7	111,8	116,8	121,9
Pitch	66	71,1	76,2	81,3	86,4	91,4	96,5	101,6	106,7	111,8	116,8

### Part number

**STB1001X-XXX-XX**

<b>STB1001</b>	Style of connector
<b>V</b>	Vertical
<b>5,08</b>	Pitch
<b>XX</b>	Poles 2,3,4,5,6,7,8, 9,10, 11,12, 13,14,15,16,17,18,19,20, 21,22,23,24

### Ordering information

Ordering can be done via [www.summit-electronics.com](http://www.summit-electronics.com) or via [info@summit-electronics.com](mailto:info@summit-electronics.com). Please contact us for more information. Customisation of the product is available on request.

### Technical support

For all product questions please contact us via [info@summit-electronics.com](mailto:info@summit-electronics.com)

### Document revision

Rev	Date	changes
2023v1	06-04-2023	First issue of document

# Terminal Block, Plug

STB2040V-5.08-XX

---

